

ANDERSEN CORPORATION

RENEWAL BY ANDERSEN FIXED WINDOW (IMPACT)

GENERAL NOTES:

- THE PRODUCT SHOWN HEREIN IS DESIGNED AND MANUFACTURED TO COMPLY WITH THE 2018 INTERNATIONAL BUILDING CODE (IBC) AND 2018 INTERNATIONAL RESIDENTIAL CODE (IRC). ALL PRODUCTS UNDER THE SCOPE OF THIS DOCUMENT HAVE BEEN EVALUATED ACCORDING TO THE FOLLOWING:
 - AAMA/WDMA/CSA 101/I.S.2/A440-17
 - ASTM E1886-13A
 - ASTM E1996-14A
- ADEQUACY OF THE EXISTING STRUCTURAL CONCRETE/MASONRY, 2X AND METAL STUD FRAMING AS A MAIN WIND FORCE RESISTING SYSTEM CAPABLE OF WITHSTANDING AND TRANSFERRING APPLIED PRODUCT LOADS TO THE FOUNDATION IS THE RESPONSIBILITY OF THE ENGINEER OR ARCHITECT OF RECORD FOR THE PROJECT OF INSTALLATION.
- 1X AND 2X BUCKS (WHEN USED) SHALL BE DESIGNED AND ANCHORED TO PROPERLY TRANSFER ALL LOADS TO THE STRUCTURE. BUCK DESIGN AND INSTALLATION IS THE RESPONSIBILITY OF THE ENGINEER OR ARCHITECT OF RECORD FOR THE PROJECT OF INSTALLATION.
- INSTALL INDIVIDUAL INSTALLATION ANCHORS WITHIN A TOLERANCE OF $\pm 1/4$ INCH OF THE DEPICTED LOCATION IN THE ANCHOR LAYOUT DETAIL (I.E., WITHOUT CONSIDERATION OF TOLERANCES). TOLERANCES ARE NOT CUMULATIVE FROM ONE INSTALLATION ANCHOR TO THE NEXT.
- THE INSTALLATION DETAILS DESCRIBED HEREIN ARE GENERIC AND MAY NOT REFLECT ACTUAL CONDITIONS FOR A SPECIFIC SITE. IF SITE CONDITIONS CAUSE INSTALLATION TO DEVIATE FROM THE REQUIREMENTS DETAILED HEREIN, A LICENSED ENGINEER OR ARCHITECT SHALL PREPARE SITE SPECIFIC DOCUMENTS FOR USE WITH THIS DOCUMENT.
- APPROVED IMPACT PROTECTIVE SYSTEM **IS NOT REQUIRED** TO PROTECT THIS PRODUCT IN AREAS REQUIRING IMPACT RESISTANCE.
- WINDOW FRAME MATERIAL: FIBREX, PVC & WOOD
- IN ACCORDANCE WITH THE 2018 IBC, WOOD COMPONENTS SHALL HAVE BEEN PRESERVATIVE TREATED OR SHALL BE OF A DURABLE SPECIES AS DEFINED IN CHAPTER 23.
- GLASS MEETS THE REQUIREMENTS OF ASTM E 1300 GLASS CHARTS. SEE SHEET 3 FOR GLAZING DETAILS.

TABLE OF CONTENTS	
SHEET	SHEET DESCRIPTION
1	GENERAL NOTES AND DESIGN PRESSURE TABLE
2	ELEVATION AND ANCHOR LAYOUT
3	GLAZING DETAILS
4	VERTICAL SECTIONS
5	HORIZONTAL SECTIONS
6	INSTALLATION DETAILS AND NOTES
7	QUALIFIED SHAPES

DESIGN PRESSURE RATING				
GLAZING TYPE	FRAME SIZE	D.L.O.	DESIGN PRESSURE	MISSILE RATING
G-1	44" X 40"	38" X 34"	+60/-70 PSF	LARGE & SMALL IMPACT
G-2	48" X 52"	42" X 46"		
G-2T	64" X 40"	58" X 34"		
G-3/G-3T	52" X 62"	46" X 56"		
G-4/G-4T	64" X 64"	58" X 58"		
G-5	68" X 72"	62" X 66"		
G-5T	68" X 80"	62" X 74"		
G-5T	68" X 80" (ARCH)	62" X 74"		
G-5T	68" X 80" (SPRINGLINE)	62" X 74"		



100 FOURTH AVE NORTH
BAYPORT, MN 55003-1096
PH: (651) 264-5150 FX: (651) 264-5485

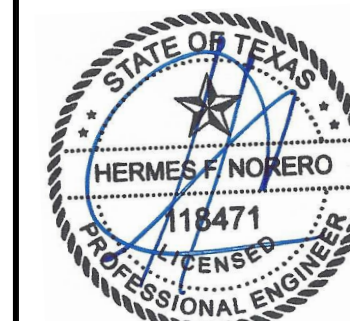
TITLE: RENEWAL BY ANDERSEN
FIXED WINDOW
(IMPACT)
GENERAL NOTES &
DESIGN PRESSURE TABLE

PREPARED BY:
BUILDING DROPS, INC.
398 E. DANIA BEACH BLVD., STE. 338
DANIA BEACH, FL 33004
PH: (954) 399-8478
FAX: (954) 744-4738
WEB: www.buildingdrops.com



REMARKS	BY	DATE

THE INSTALLATION DETAILS DESCRIBED HEREIN ARE GENERIC AND MAY NOT REFLECT ACTUAL CONDITIONS FOR A SPECIFIC SITE. IF SITE CONDITIONS CAUSE INSTALLATION TO DEVIATE FROM THE REQUIREMENTS DETAILED HEREIN, A LICENSED ENGINEER OR ARCHITECT SHALL PREPARE SITE SPECIFIC DOCUMENTS FOR USE WITH THIS DOCUMENT.



HERMES F. NORERO, P.E.
TEXAS P.E. No. 118471
BUILDING DROPS, INC
398 E. DANIA BEACH BLVD. # 338
DANIA BEACH, FL 33004
TBPE FIRM NO. 13734

DATE: **03.15.22**
DWG. BY: **CA** CHK. BY: **HFN**
SCALE: **NTS**
DWG. #: **AWD316**

SHEET:
1

11/22/2022 2:33 PM
s:\projects\andersen_windows\tdl-submittal-rba-double-hung-window_rba-pvu6swu-window_rba-tp-mullion\dwgs\fxsd\awd316.dwg



100 FOURTH AVE NORTH
BAYPORT, MN 55003-1096
PH: (651) 264-5150 FX: (651) 264-5485

TITLE: RENEWAL BY ANDERSEN
FIXED WINDOW
(IMPACT)
ELEVATION & ANCHOR LAYOUT

PREPARED BY:
BUILDING DROPS, INC.
398 E. DANIA BEACH BLVD., STE. 338
DANIA BEACH, FL 33004
PH: (954) 399-8478
FAX: (954) 744-4738
WEB: www.buildingdrops.com

REMARKS	BY	DATE

THE INSTALLATION DETAILS DESCRIBED HEREIN ARE GENERIC AND MAY NOT REFLECT ACTUAL CONDITIONS FOR A SPECIFIC SITE. IF SITE CONDITIONS CAUSE INSTALLATION TO DEVIATE FROM THE REQUIREMENTS DETAILED HEREIN, A LICENSED ENGINEER OR ARCHITECT SHALL PREPARE SITE SPECIFIC DOCUMENTS FOR USE WITH THIS DOCUMENT.



HERMES F. NORERO, P.E.
TEXAS P.E. No. 118471
BUILDING DROPS, INC.
398 E. DANIA BEACH BLVD. # 338
DANIA BEACH, FL 33004
TBPE FIRM NO. 13734

DATE: 03.15.22

DWG. BY: CA CHK. BY: HFN

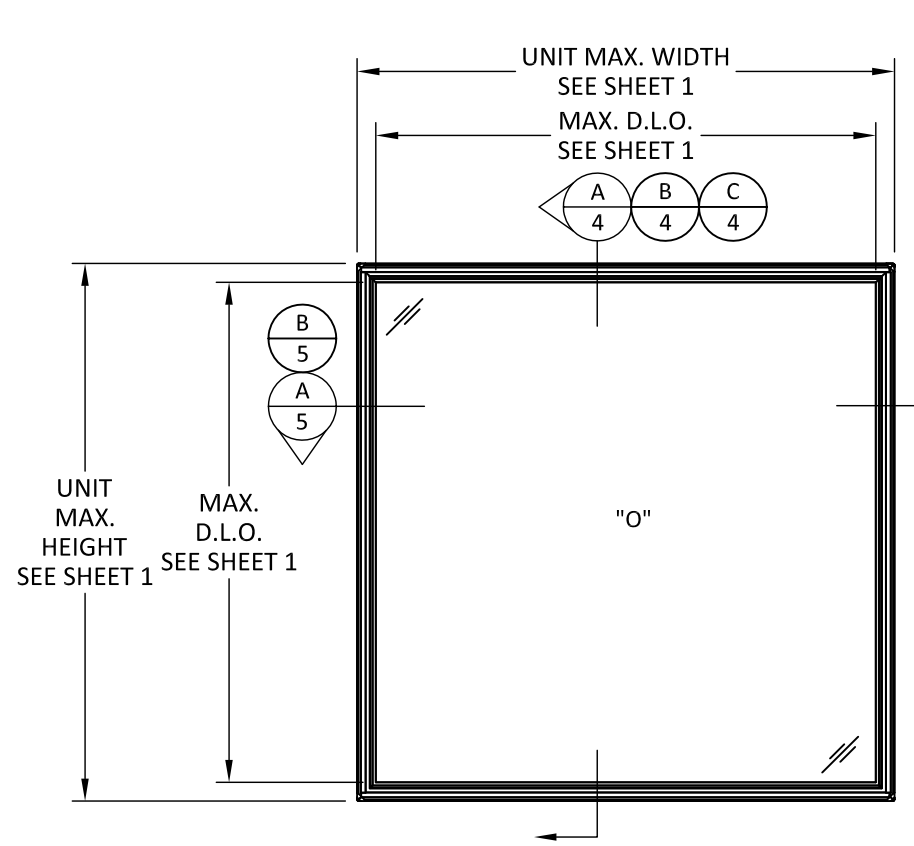
SCALE: NTS

DWG. #: AWD316

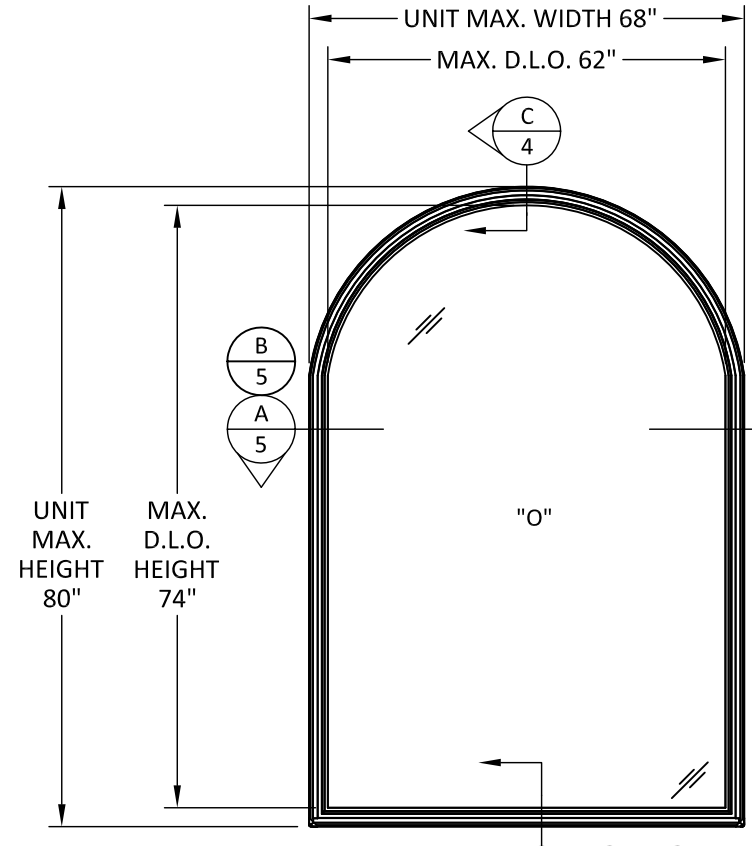
SHEET:

2

OF 7

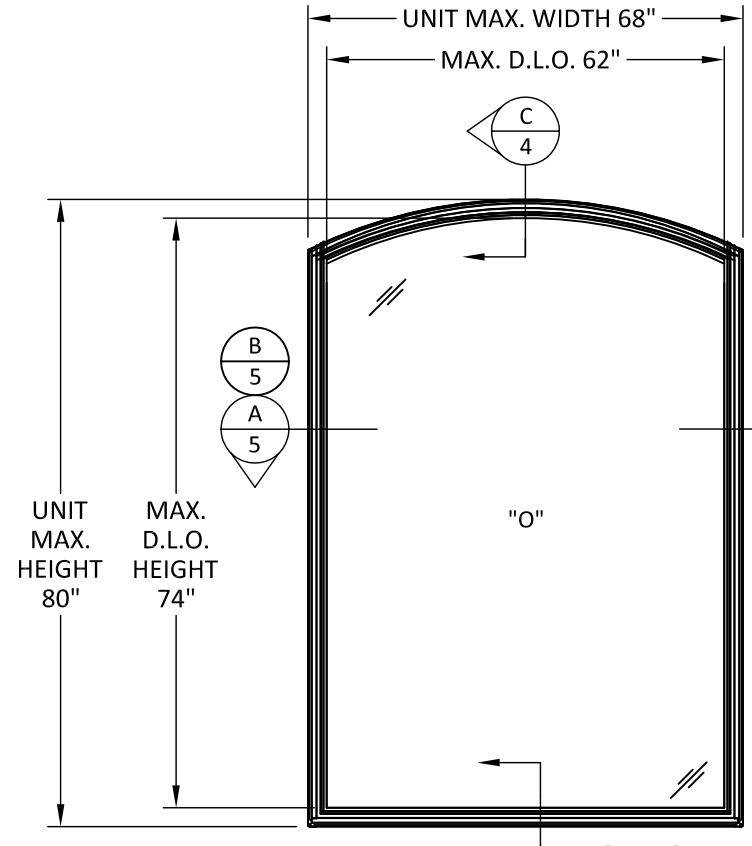


ELEVATION
1 PIECE FRAME

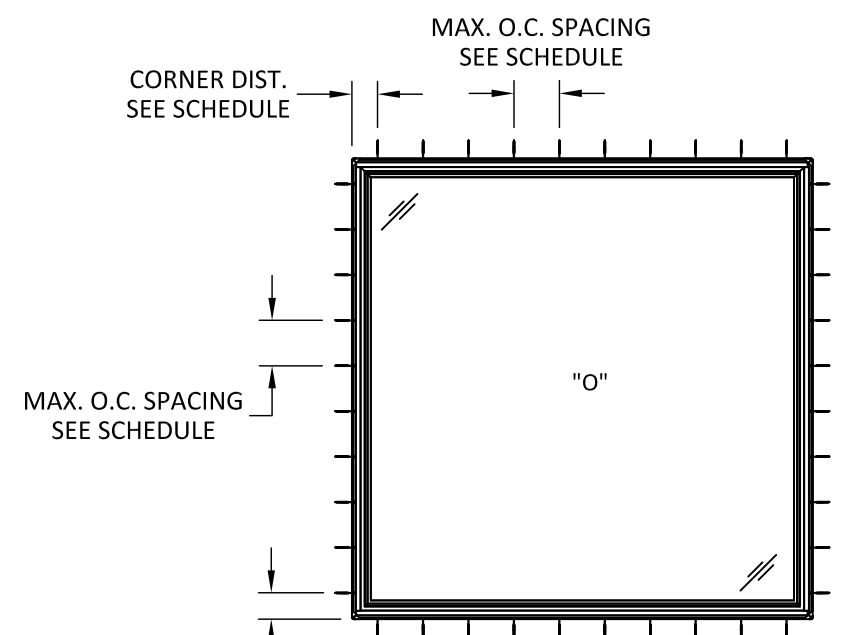


ELEVATION
2 PIECE FRAME

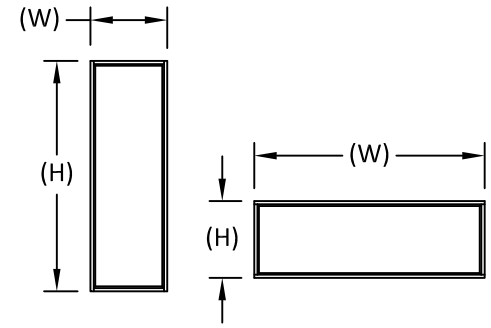
NOTE:
THE MAX. DIMENSIONS OF ARCH AND SPRINGLINE ELEVATIONS SHALL NOT EXCEED THE MAX. RECTANGULAR DIMENSIONS PER GLAZING TYPE ON SHEET 1.



ELEVATION
2 PIECE FRAME



ANCHOR LAYOUT



NOTE:
WINDOW WIDTH (W) AND HEIGHT (H) ARE INTERCHANGEABLE FOR ALL SIZES SHOWN HEREIN NOT TO EXCEED MAXIMUM TESTED DIMENSIONS SHOWN ON SHEET 1. ANCHOR SPACING SHALL NOT EXCEED THOSE SHOWN FOR LONG OR SHORT LEG OF UNIT.

RbA FIXED WINDOW ANCHOR SPACING				
INSTALLATION METHOD	DISTANCE FROM CORNER (IN)	MAX. O.C. HEAD (IN)	MAX. O.C. JAMB(IN)	MAX. O.C. SILL(IN)
THROUGH FRAME	6	12	12	12

NOTE:
ALL TYPICAL SUBSTRATE SHOWN HEREIN MAY BE USED AT THE HEAD, JAMBS, OR SILL. EDGE DISTANCE AND EMBEDMENT SHALL BE AS SPECIFIED IN TYPICAL DETAILS. SEE TABLE ON SHEETS 6 & 7 FOR ANCHOR SPECIFICATIONS FOR EACH INSTALLATION METHOD.

11/22/2022 2:33 PM
s:\projects\andersen\windows\tdf-22-0213.1 - tdf submittal - rba double hung window - rba double hung window, rba pvc6swu window, rba hp millen\dwgs\fixed\awd316.dwg



100 FOURTH AVE NORTH
BAYPORT, MN 55003-1096
PH: (651) 264-5150 FX: (651) 264-5485

TITLE: RENEWAL BY ANDERSEN
FIXED WINDOW
(IMPACT)
GLAZING DETAILS

PREPARED BY:
BUILDING DROPS, INC.
398 E. DANIA BEACH BLVD., STE. 338
DANIA BEACH, FL 33004
PH: (954) 399-8478
FAX: (954) 744-4738
WEB: www.buildingdrops.com

REMARKS	BY	DATE

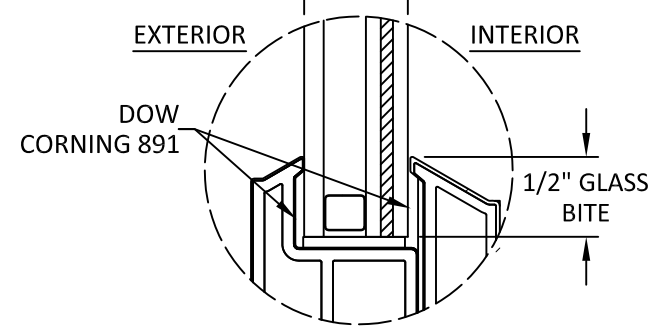
THE INSTALLATION DETAILS DESCRIBED HEREIN ARE GENERIC AND MAY NOT REFLECT ACTUAL CONDITIONS FOR A SPECIFIC SITE. IF SITE CONDITIONS CAUSE INSTALLATION TO DEVIATE FROM THE REQUIREMENTS DETAILED HEREIN, A LICENSED ENGINEER OR ARCHITECT SHALL PREPARE SITE SPECIFIC DOCUMENTS FOR USE WITH THIS DOCUMENT.



HERMES F. NORERO, P.E.
TEXAS P.E. No. 118471
BUILDING DROPS, INC
398 E. DANIA BEACH BLVD. # 338
DANIA BEACH, FL 33004
TBPE FIRM NO. 13734

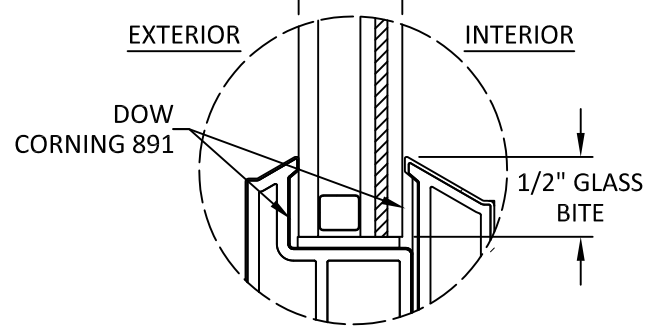
DATE:	03.15.22
DWG. BY:	CA
CHK. BY:	HFN
SCALE:	NTS
DWG. #:	AWD316
SHEET:	3

13/16" O.A. I.G. LAMINATED GLASS CONSISTING OF:
3/32" ANNEALED GLASS
7/16" STAINLESS STEEL SPACER
3/32" ANNEALED GLASS
0.090" PVB INTERLAYER BY KURARAY
3/32" ANNEALED GLASS



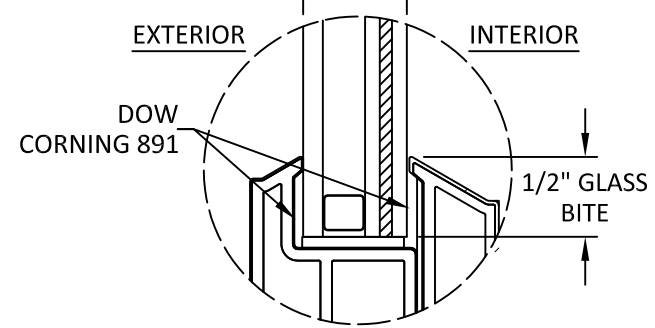
GLAZING DETAIL
G-1

13/16" O.A. I.G. LAMINATED GLASS CONSISTING OF:
1/8" ANNEALED GLASS
7/16" STAINLESS STEEL SPACER
3/32" ANNEALED GLASS
0.090" PVB INTERLAYER BY KURARAY
3/32" ANNEALED GLASS



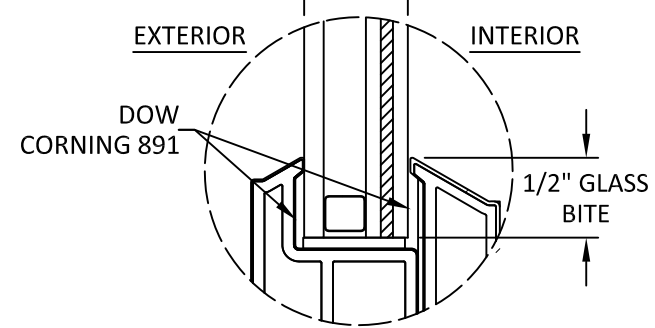
GLAZING DETAIL
G-2

13/16" O.A. I.G. LAMINATED GLASS CONSISTING OF:
1/8" TEMPERED GLASS
7/16" STAINLESS STEEL SPACER
3/32" ANNEALED GLASS
0.090" PVB INTERLAYER BY KURARAY
3/32" ANNEALED GLASS



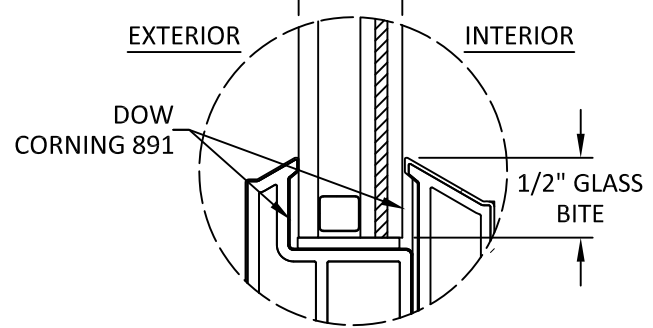
GLAZING DETAIL
G-2T

13/16" O.A. I.G. LAMINATED GLASS CONSISTING OF:
5/32" ANNEALED GLASS
3/8" STAINLESS STEEL SPACER
3/32" ANNEALED GLASS
0.090" PVB INTERLAYER BY KURARAY
3/32" ANNEALED GLASS



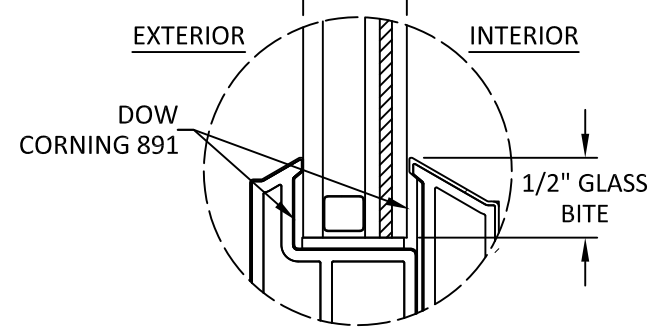
GLAZING DETAIL
G-3

13/16" O.A. I.G. LAMINATED GLASS CONSISTING OF:
5/32" TEMPERED GLASS
3/8" STAINLESS STEEL SPACER
3/32" ANNEALED GLASS
0.090" PVB INTERLAYER BY KURARAY
3/32" ANNEALED GLASS



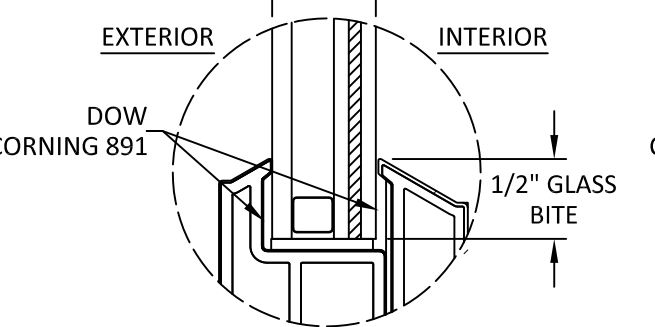
GLAZING DETAIL
G-3T

13/16" O.A. I.G. LAMINATED GLASS CONSISTING OF:
3/16" ANNEALED GLASS
5/16" STAINLESS STEEL SPACER
1/8" ANNEALED GLASS
0.090" PVB INTERLAYER BY KURARAY
1/8" ANNEALED GLASS



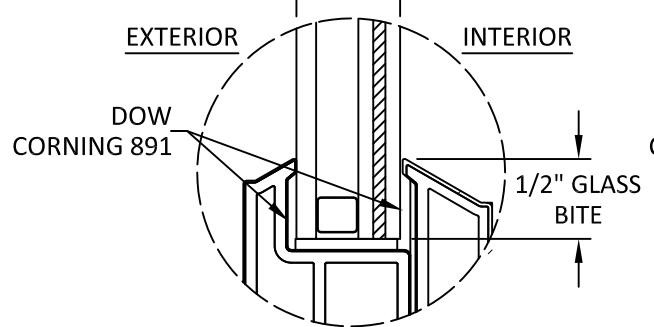
GLAZING DETAIL
G-4

13/16" O.A. I.G. LAMINATED GLASS CONSISTING OF:
3/16" TEMPERED GLASS
5/16" STAINLESS STEEL SPACER
1/8" ANNEALED GLASS
0.090" PVB INTERLAYER BY KURARAY
1/8" ANNEALED GLASS



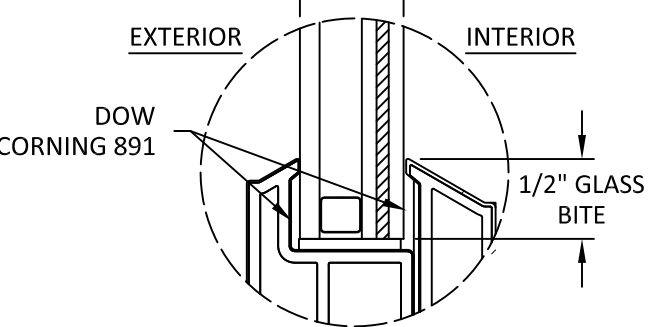
GLAZING DETAIL
G-4T

7/8" O.A. I.G. LAMINATED GLASS CONSISTING OF:
7/32" ANNEALED GLASS
5/16" STAINLESS STEEL SPACER
1/8" ANNEALED GLASS
0.090" PVB INTERLAYER BY KURARAY
1/8" ANNEALED GLASS



GLAZING DETAIL
G-5

7/8" O.A. I.G. LAMINATED GLASS CONSISTING OF:
7/32" TEMPERED GLASS
5/16" STAINLESS STEEL SPACER
1/8" ANNEALED GLASS
0.090" PVB INTERLAYER BY KURARAY
1/8" ANNEALED GLASS



GLAZING DETAIL
G-5T

GLAZING NOTES:
1. GLASS TYPE & THICKNESS SHALL COMPLY WITH ASTM E1300 REQUIREMENTS AS WELL AS APPLICABLE SAFETY GLAZING REQUIREMENTS PER THE IBC/IRC. TEMPER AND SAFETY GLAZING REQUIREMENTS SHALL BE REVIEWED ON A SITE SPECIFIC BASIS.



100 FOURTH AVE NORTH
BAYPORT, MN 55003-1096
PH: (651) 264-5150 FX: (651) 264-5485

TITLE: RENEWAL BY ANDERSEN
FIXED WINDOW
(IMPACT)
VERTICAL SECTIONS

PREPARED BY:
BUILDING DROPS, INC.
398 E. DANIA BEACH BLVD., STE. 338
DANIA BEACH, FL 33004
PH: (954) 399-8478
FAX: (954) 744-4738
WEB: www.buildingdrops.com

REMARKS	BY	DATE

THE INSTALLATION DETAILS DESCRIBED HEREIN ARE GENERIC AND MAY NOT REFLECT ACTUAL CONDITIONS FOR A SPECIFIC SITE. IF SITE CONDITIONS CAUSE INSTALLATION TO DEVIATE FROM THE REQUIREMENTS DETAILED HEREIN, A LICENSED ENGINEER OR ARCHITECT SHALL PREPARE SITE SPECIFIC DOCUMENTS FOR USE WITH THIS DOCUMENT.



HERMES F. NORERO, P.E.
TEXAS P.E. No. 118471
BUILDING DROPS, INC
398 E. DANIA BEACH BLVD. # 338
DANIA BEACH, FL 33004
TBPE FIRM NO. 13734

DATE: 03.15.22

DWG. BY: CA	CHK. BY: HFN
----------------	-----------------

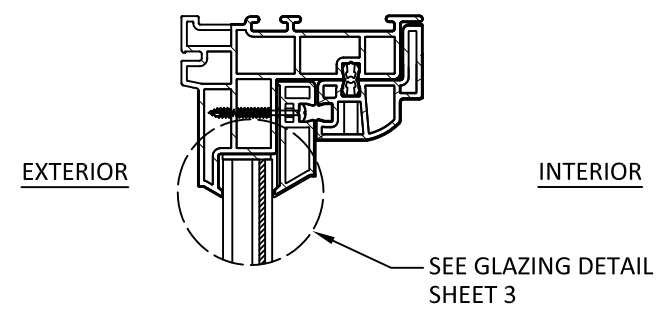
SCALE: NTS

DWG. #: AWD316

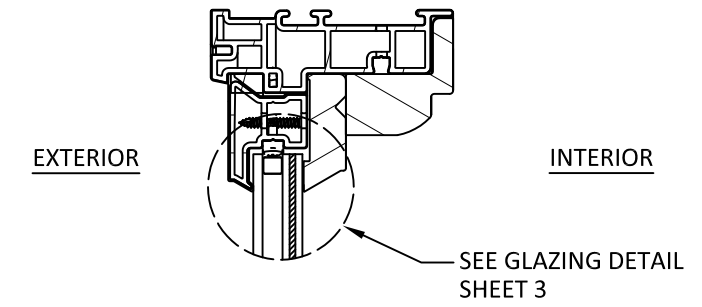
SHEET:

4

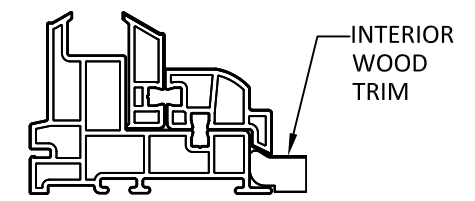
OF 7



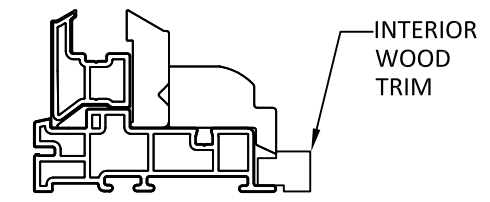
B
4 VERTICAL SECTION
TYPICAL 1 PIECE FRAME DETAIL
USED FOR RECTANGULAR PICTURE WINDOWS



C
4 VERTICAL SECTION
TYPICAL 2 PIECE FRAME DETAIL
USED FOR SPECIALTY SHAPED WINDOWS



ALTERNATE EJ FRAME - 1 PIECE
MAY BE USED AS EQUAL ALTERNATE



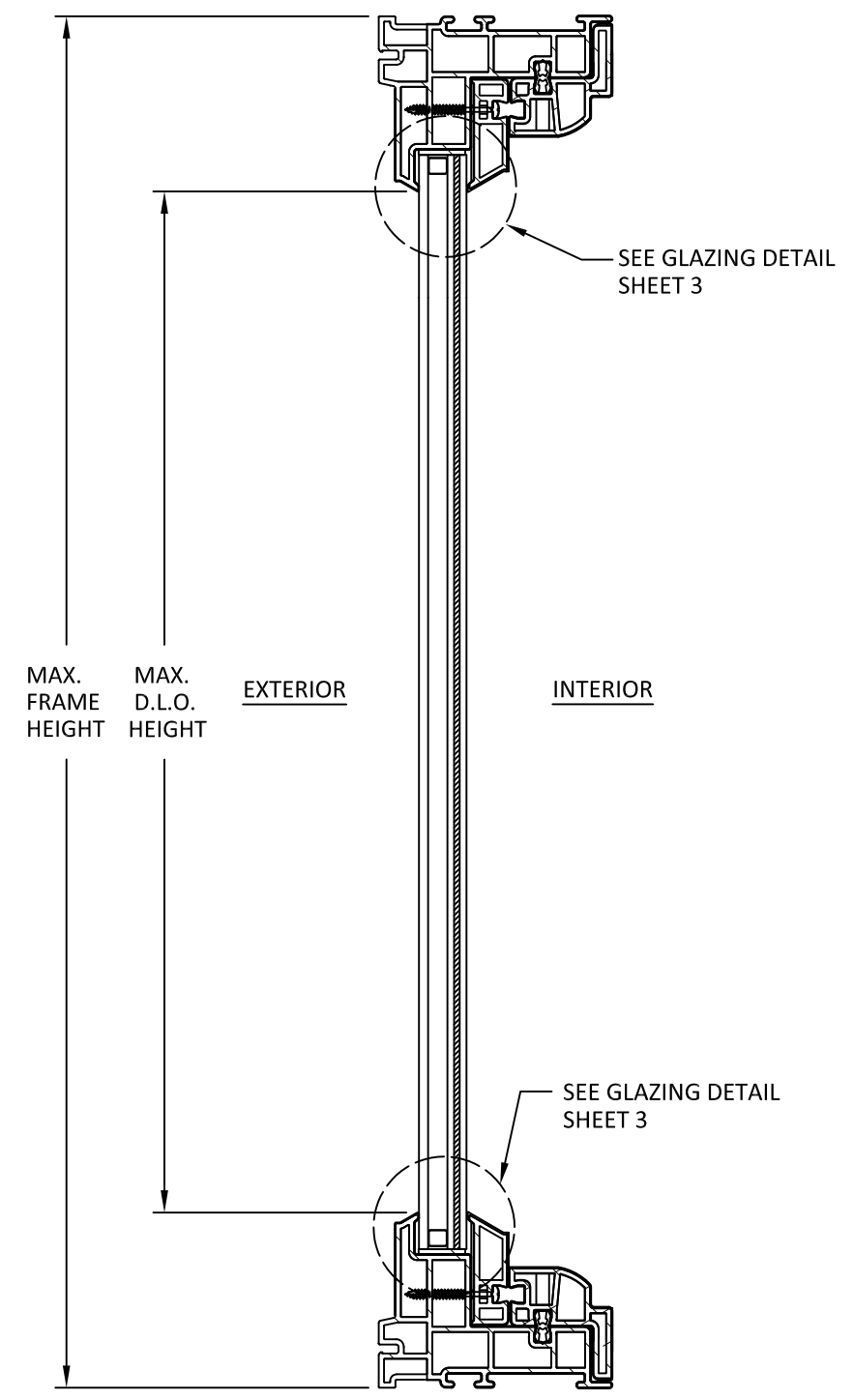
ALTERNATE EJ FRAME - 2 PIECE
MAY BE USED AS EQUAL ALTERNATE

ALTERNATE EJ FRAME

MAY BE USED AS EQUAL ALTERNATE FRAME TYPE

TWO PIECE FRAME NOTES:

- TWO PIECE FRAME IS TO BE USED FOR CURVED MEMBERS ON SHAPED UNITS. LESS THAN 30" RADIUS SHALL USE 2 PIECE FRAMES, LARGER BENDING RADIUS MAY USE 1 PIECE FRAME.
- ALL TYPICAL HEAD, SILL AND JAMB INSTALLATION DETAILS SHOWN HEREIN WITH 1 PIECE FRAME MAY USE 2 PIECE FRAME WITH THE SAME INSTALLATION AND ANCHOR SPECIFICATIONS.



A
4 VERTICAL SECTION
THROUGH FRAME

11/22/2022 2:33 PM

s:\projects\anderson\windows\tdl\22-0213.1 - tdl submittal - rba double hung window, rba double hung window, rba pnu6swu window, rba hp mullion\dwgs\fixed\awd316.dwg



100 FOURTH AVE NORTH
 BAYPORT, MN 55003-1096
 PH: (651) 264-5150 FX: (651) 264-5485

TITLE: RENEWAL BY ANDERSEN
 FIXED WINDOW
 (IMPACT)
 HORIZONTAL SECTIONS

PREPARED BY:
BUILDING DROPS, INC.
 398 E. DANIA BEACH BLVD., STE. 338
 DANIA BEACH, FL 33004
 PH: (954) 399-8478
 FAX: (954) 744-4738
 WEB: www.buildingdrops.com



REMARKS	BY	DATE

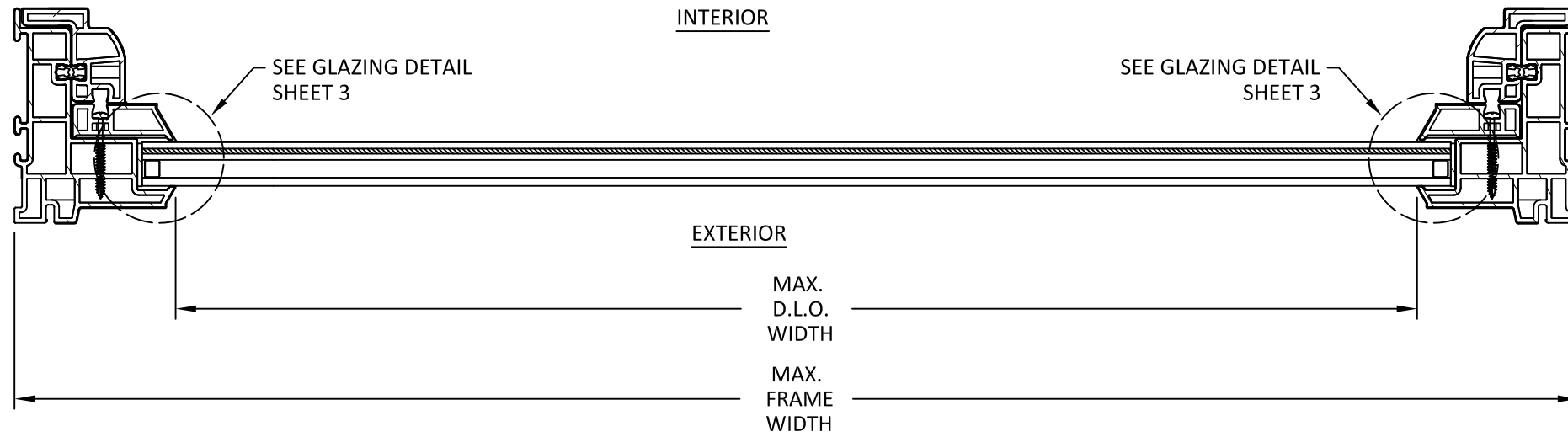
THE INSTALLATION DETAILS DESCRIBED HEREIN ARE GENERIC AND MAY NOT REFLECT ACTUAL CONDITIONS FOR A SPECIFIC SITE. IF SITE CONDITIONS CAUSE INSTALLATION TO DEVIATE FROM THE REQUIREMENTS DETAILED HEREIN, A LICENSED ENGINEER OR ARCHITECT SHALL PREPARE SITE SPECIFIC DOCUMENTS FOR USE WITH THIS DOCUMENT.



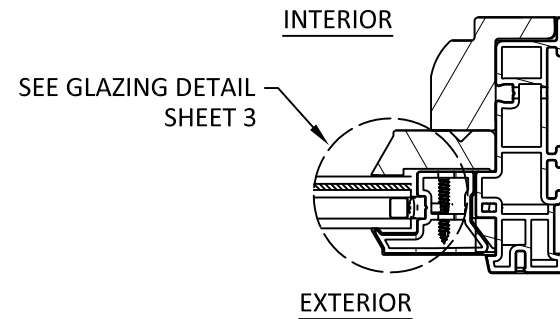
HERMES F. NORERO, P.E.
 TEXAS P.E. No. 118471
 BUILDING DROPS, INC
 398 E. DANIA BEACH BLVD. # 338
 DANIA BEACH, FL 33004
 TBPE FIRM NO. 13734

DATE:	03.15.22	
DWG. BY:	CA	CHK. BY: HFN
SCALE:	NTS	
DWG. #:	AWD316	

SHEET:
5



A
5 HORIZONTAL SECTION
 THROUGH FRAME

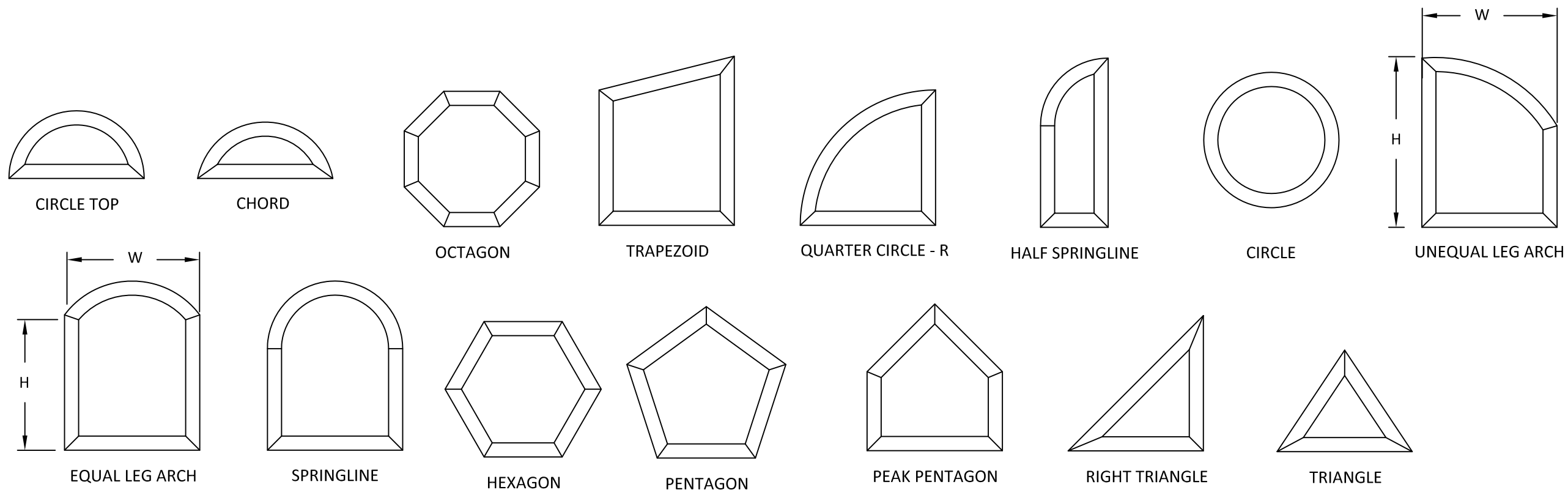


B
5 HORIZONTAL SECTION
 TYPICAL 2 PIECE FRAME DETAIL
 USED FOR SPECIALTY SHAPED WINDOWS



100 FOURTH AVE NORTH
BAYPORT, MN 55003-1096
PH: (651) 264-5150 FX: (651) 264-5485

QUALIFIED SHAPES



TITLE: RENEWAL BY ANDERSEN
FIXED WINDOW
(IMPACT)
QUALIFIED SHAPES

PREPARED BY: BUILDING DROPS, INC.
398 E. DANIA BEACH BLVD., STE. 338
DANIA BEACH, FL 33004
PH: (954) 399-8478
FAX: (954) 744-4738
WEB: www.buildingdrops.com

REMARKS	BY	DATE

THE INSTALLATION DETAILS DESCRIBED HEREIN ARE GENERIC AND MAY NOT REFLECT ACTUAL CONDITIONS FOR A SPECIFIC SITE. IF SITE CONDITIONS CAUSE INSTALLATION TO DEVIATE FROM THE REQUIREMENTS DETAILED HEREIN, A LICENSED ENGINEER OR ARCHITECT SHALL PREPARE SITE SPECIFIC DOCUMENTS FOR USE WITH THIS DOCUMENT.



HERMES F. NORERO, P.E.
TEXAS P.E. No. 118471
BUILDING DROPS, INC
398 E. DANIA BEACH BLVD. # 338
DANIA BEACH, FL 33004
TBPE FIRM NO. 13734

DATE: 03.15.22
DWG. BY: CA CHK. BY: HFN
SCALE: NTS
DWG. #: AWD316
SHEET:

11/22/2022 2:33 PM
s:\projects\andersen\windows\tdl\submittal - rba double hung window - rba pnu6sww window, rba hp mullen\dwgs\fxsd\awd316.dwg